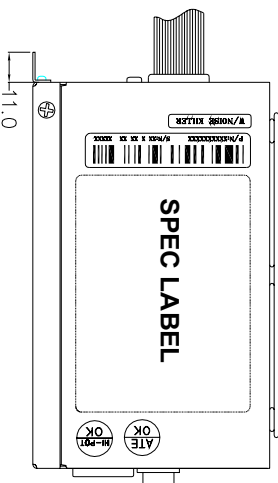
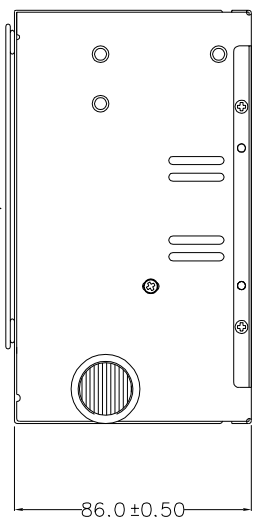


REF. ID.	FIN NO.	SIGNAL	WIRE COLOR	GAUGE	CONNECTOR TYPE	GAUGE LENGTH
P1	1	+3.3VDC	ORANGE	18	MOLEX	500 +20
	2	+3.3VDC	ORANGE	18	39-01-2200	500 -10
	3	COM	BLACK	18	or EQUIV.	
	4	+5VDC	RED	18		
	5	COM	BLACK	18		
	6	+5VDC	RED	18		
	7	COM	BLACK	18		
	8	PW-OK	GRAY	24		
	9	+5Vab	PURPLE	18		
	10	+12VDC	YELLOW	18		
P2	11	+3.3VDC	ORANGE	20	MOLEX	500 +20
	12	+3.3VDC	BROWN	24	90331	500 -10
	13	COM	BLACK	18	or EQUIV.	
	14	PS-ON	GREEN	24		
	15	COM	BLACK	18		
	16	COM	BLACK	18		
	17	COM	BLACK	18		
	18	-5VDC	WHITE	24		
	19	+5VDC	RED	18		
	20	+5VDC	RED	18		
PA	1	+12V	YELLOW	18	AMP	380 +20
	2	COM	BLACK	18	1-480424-0	380 -10
	3	COM	BLACK	18	or EQUIV.	
	4	+5V	RED	18		
PB	1	+12V	YELLOW	18	AMP	200 ±10
	2	COM	BLACK	18	1-480424-0	200 ±10
	3	COM	BLACK	18	or EQUIV.	
	4	+5V	RED	18		
PC	1	+12V	YELLOW	22	AMP	200 ±10
	2	COM	BLACK	22	171822-4	200 ±10
	3	COM	BLACK	22	or EQUIV.	
	4	+5V	RED	22		
PE	1	COM	BLACK	20	MOLEX	500 +20
	2	COM	BLACK	20	39-01-2040	500 -10
	3	+12V	YELLOW	20	or EQUIV.	
	4	+12V	YELLOW	20		
PH	1	+12V	YELLOW	18	AMP	380 +20
	2	COM	BLACK	18	1-480424-0	380 -10
	3	COM	BLACK	18	or EQUIV.	
	4	+5V	RED	18		
PI	1	+12V	YELLOW	18	AMP	380 +20
	2	COM	BLACK	18	1-480424-0	380 -10
	3	COM	BLACK	18	or EQUIV.	
	4	+5V	RED	18		

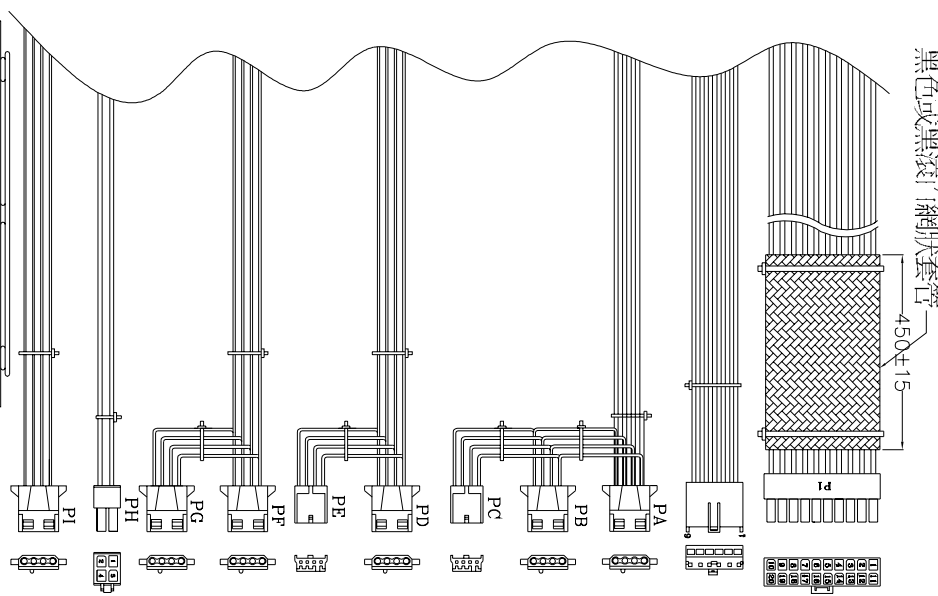
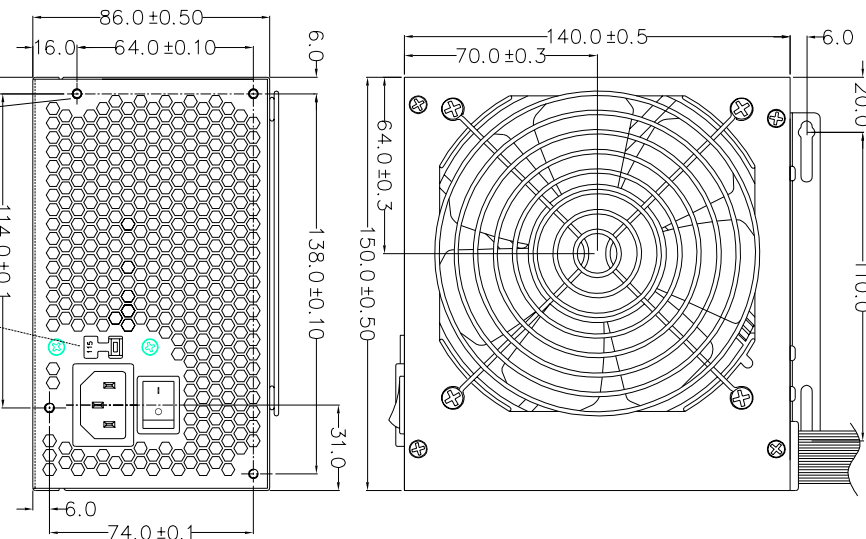


NOTE:
 1. ALL THE LENGTH OF OUTPUT WIRES EXCLUDE HOUSING.
 2. 產地標籤依業務指示加貼。

UNIT:mm



AIR FLOW



P/N.:99PA3005003

MODEL NO. : FSP300-60PN(S201)	TITLE: ASSY
R&D	DRAWN
PE	DATE
INTERIOR COUNTERSIGN:	APR.14.2003

Mechanical Drawing(外觀/機殼圖)表單編號:7000P-0111